

Luke Pro 75 S 2Way | 2X18W

Product Reference

Environment Indoor

Installation Ceiling Surface

Construction & Materials

Housing Aluminium

Primary Lens PMMA

Primary Reflector -

Secondary Reflector -

Body Finish White,Black,Custom

Diffuser -

Antiglare Baffle -

Thermal Management

Heat Sink Material Die cast Aluminium

Cooling Technique Passive Cooling

Optical System

Beam Direction Fixed

Tilt No

Swivel No

Electrical System

Driven with Constant Current Driver

Input Voltage/Hz 220V- 240V/50-60Hz

Control Gear Included

Mounting Integral

LED Power Watts 2x16.6

System Power Watts 2x17.9

Operating Voltage Vin 220-240 Vac

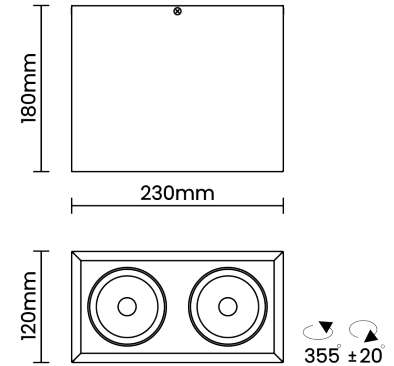
Power Factor p.f. > 0.95

Ordering Details

Code Example:	Name	Watt	CCT	CRI	Angle	Finish	Control
	Luke Pro 75 S 2Way	2x18W		CRI80	22°(SS)	SWH	On/Off

Select one from each column with highlighted values to create the ordering code

NAME	WATT	LUMEN	EFFICACY	CCT	CRI	ANGLE	FINISH	CONTROL
Luke Pro 75 S 2Way	2x18W	2x1808	101	2700K	CRI80	22°(SS)	White SWH	Non Dimmable On/Off
		2x1862	104	3000K	CRI90	41°(MD)	Black SBL	Dali Dimmable DDIM
		2x1951	109	4000K		56°(WD)	Custom CSM	Casambi CBTM
		2x1987	111	5700K				
Luke Pro 75 S 2Way	2x18W				CRI80	22°(SS)	SWH	On/Off



Light Distribution

LED Technology

Binning 3 Step MacAdam

LED Life Time @ L80/B10 >50000 hours

Colour Rendering (CRI) CRI80,CRI90

Led Type COB

LED Fitted Cree COB LED 36Vdc/450mA

Controls

Standard Switchable On/Off

Optional DDIM,CASAMBI