

oH-Ho NXT P | 30W

Product Reference

Environment Indoor

Installation Ceiling Suspended

Construction & Materials

Housing Spun Aluminium

Primary Lens -

Primary Reflector -

Secondary Reflector -

Body Finish White,Black,Custom

Diffuser Premium high-transmission opal

Antiglare Baffle -

Thermal Management

Heat Sink Material Aluminium

Cooling Technique Passive Cooling

Optical System

Beam Direction General Diffuse

Tilt No

Swivel No

Electrical System

Driven with Constant Current Driver

Input Voltage/Hz 220V- 240V/50-60Hz

Control Gear Included

Mounting Integral

LED Power Watts 23.3W

System Power Watts 26.8W

Operating Voltage Vin 220-240 Vac

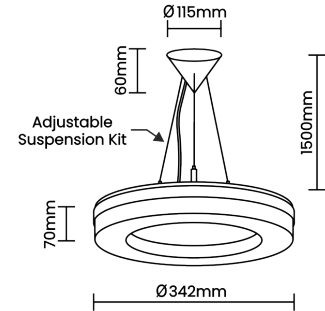
Power Factor p.f. > 0.95

Ordering Details

Code Example:	Name	Watt	CCT	CRI	Angle	Finish	Control
	oH-Ho NXT P	30W		CRI80	128°	SWH	On/Off

Select one from each column with highlighted values to create the ordering code

NAME	WATT	LUMEN	EFFICACY	CCT	CRI	ANGLE	FINISH	CONTROL
oH-Ho NXT P	30W	2144	80	2700K-5700K	CRI80	128°	White SWH	Non Dimmable On/Off
							Black SBL	Phase Dimmable PDIM
							Custom CSM	Dali Dimmable DDIM
								Casambi CBTM
oH-Ho NXT P	30W				CRI80	128°	SWH	On/Off



Light Distribution

LED Technology

Binning 3 Step MacAdam

LED Life Time @ L80/B10 >50000 hours

Colour Rendering (CRI) CRI80,CRI90

Led Type SMD mid power

LED Fitted Samsung Mid power LED array 32V-36Vdc/700mA

Controls

Standard Switchable On/Off

Optional PDIM,DDIM,CASAMBI,Non Dimmable