

Spotboy Pro ITA 50 WW | 15W

Product Reference

Environment Indoor
 Installation Track Mounted

Construction & Materials

Housing Aluminium
 Primary Lens PMMA
 Primary Reflector -
 Secondary Reflector -
 Body Finish White,Black
 Diffuser -
 Antiglare Baffle -

Thermal Management

Heat Sink Material Die cast Aluminium
 Cooling Technique Passive Cooling

Optical System

Beam Direction Adjustable
 Tilt Yes
 Swivel Yes

Electrical System

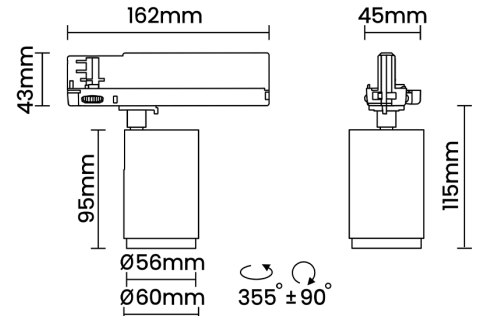
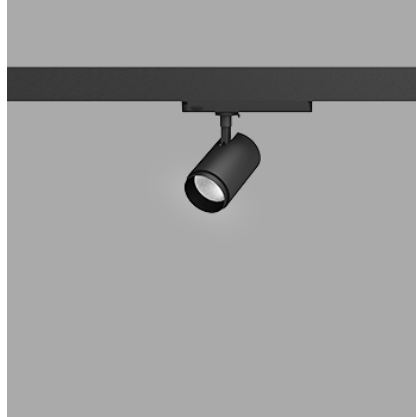
Driven with Constant Current Driver
 Input Voltage/Hz 220V- 240V/50-60Hz
 Control Gear Included
 Mounting Integral
 LED Power Watts 12.6W
 System Power Watts 14.5W
 Operating Voltage Vin 220-240 Vac
 Power Factor p.f. > 0.95

Ordering Details

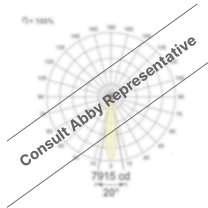
| Code Example: | Name | Watt | CCT | CRI | Angle | Finish | Control |
|---------------|------------------------------|------------|--------------|--------------|----------------------|------------|---------------|
| | Spotboy Pro ITA 50 WW | 15W | NW40K | CRI90 | Wallwash (WW) | SWH | On/Off |

Select one from each column with highlighted values to create the ordering code

| NAME | WATT | LUMEN | EFFICACY | CCT | CRI | ANGLE | FINISH | CONTROL |
|------------------------------|------------|-------|----------|--------------------|--------------|----------------------|--------------------------------------|----------------------------|
| Spotboy Pro ITA 50 WW | 15W | 1450 | 100 | 4000K NW40K | CRI90 | Wallwash (WW) | White SWH Black SBL | Non Dimmable On/Off |
| Spotboy Pro ITA 50 WW | 15W | | | NW40K | CRI90 | Wallwash (WW) | SWH | On/Off |



Light Distribution



LED Technology

Binning 3 Step MacAdam
 LED Life Time @ L80/B10 >50000 hours
 Colour Rendering (CRI) CRI90
 Led Type COB
 LED Fitted Cree COB LED 33V-36Vdc/350mA

Controls

Standard Switchable On/Off
 Optional Non Dimmable