

Roxy AR | 12W

Product Reference

Environment Indoor

Installation Ceiling Recess

Construction & Materials

Housing Aluminium

Primary Lens PMMA

Primary Reflector -

Secondary Reflector -

Body Finish White,Black,Custom

Diffuser -

Antiglare Baffle -

Thermal Management

Heat Sink Material Extruded Aluminium

Cooling Technique Passive Cooling

Optical System

Beam Direction Adjustable

Tilt Yes

Swivel Yes

Electrical System

Driven with Constant Current Driver

Input Voltage/Hz 220V- 240V/50-60Hz

Control Gear Included

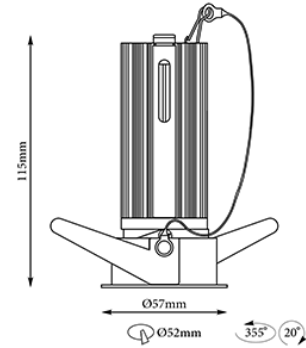
Mounting Remote

LED Power Watts 10.5W

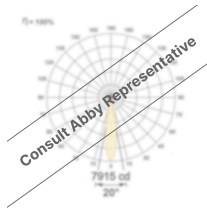
System Power Watts 12.1W

Operating Voltage Vin 220-240 Vac

Power Factor p.f. > 0.95



Light Distribution



LED Technology

Binning 3 Step MacAdam

LED Life Time @ L80/B10 >50000 hours

Colour Rendering (CRI) CRI80,CRI90

Led Type COB

LED Fitted COB 36Vdc/300mA

Controls

Standard Switchable On/Off

Optional PDIM,DDIM,BTTM,CASAMBI,Non Dimmable

Ordering Details

Code Example:	Name	Watt	CCT	CRI	Angle	Finish	Control
	Roxy AR	12W	WW30K	CRI80	21°(SS)	SWH	On/Off

Select one from each column with highlighted values to create the ordering code

NAME	WATT	LUMEN	EFFICACY	CCT	CRI	ANGLE	FINISH	CONTROL
Roxy AR	12W	1258	104	3000K	WW30K	CRI80	21°(SS)	White SWH Non Dimmable On/Off
		1319	109	4000K	NW40K	CRI90	27°(MD)	Black SBL Phase Dimmable PDIM
							34°(WD)	Custom CSM Dali Dimmable DDIM
							47°(VWD)	Bluetooth Dimmable BTTM
Roxy AR	12W			WW30K	CRI80	21°(SS)	SWH	Casambi CBTM
								On/Off