

Bling F | 5W

Product Reference

Environment Indoor
Installation Ceiling Recess

Construction & Materials

Housing Milled Aluminium
Primary Lens -
Primary Reflector PC metallised
Secondary Reflector -
Body Finish White,Black,Custom
Diffuser -
Antiglare Baffle -

Thermal Management

Heat Sink Material Aluminium
Cooling Technique Passive Cooling

Optical System

Beam Direction Fixed
Tilt No
Swivel No

Electrical System

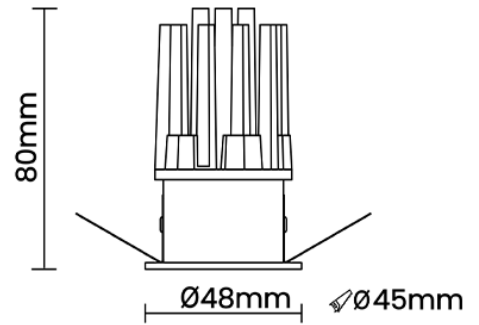
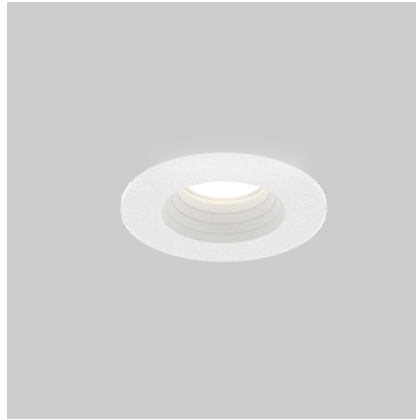
Driven with Constant Current Driver
Input Voltage/Hz 220V- 240V/50-60Hz
Control Gear Included
Mounting Remote
LED Power Watts 3.5W
System Power Watts 4.4W
Operating Voltage Vin 220-240 Vac
Power Factor p.f. > 0.5

Ordering Details

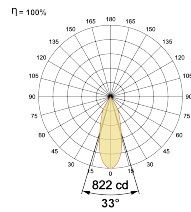
Code Example:	Name	Watt	CCT	CRI	Angle	Finish	Control
	Bling F	5W	WW27K	CRI80	33°(MD)	SWH	On/Off

Select one from each column with highlighted values to create the ordering code

NAME	WATT	LUMEN	EFFICACY	CCT	CRI	ANGLE	FINISH	CONTROL
Bling F	5W	330	75	2700K	WW27K	CRI80	33°(MD) 33°(MD)	White SWH Non Dimmable On/Off
		352	80	3000K	WW30K	CRI90	Black SBL Phase Dimmable PDIM	
		374	85	4000K	NW40K		Custom CSM Dali Dimmable DDIM	
		383	87	5700K	CW57K		Casambi CBTM	
					Warm to Dim W2D			
Bling F	5W			WW27K	CRI80	33°(MD)	SWH	on/Off



Light Distribution



LED Technology

Binning 3 Step MacAdam
LED Life Time @ L80/B10 >50000 hours
Colour Rendering (CRI) CRI80,CRI90
Led Type COB
LED Fitted CREE COB LED 9Vdc/350mA

Controls

Standard Switchable On/Off
Optional PDIM,DDIM,CASAMBI,Non Dimmable