

# Bling F | 8W

## Product Reference

Environment Indoor

Installation Ceiling Recess

## Construction & Materials

Housing Milled Aluminium

Primary Lens -

Primary Reflector PC metallised

Secondary Reflector -

Body Finish White,Black,Custom

Diffuser -

Antiglare Baffle -

## Thermal Management

Heat Sink Material Aluminium

Cooling Technique Passive Cooling

## Optical System

Beam Direction Fixed

Tilt No

Swivel No

## Electrical System

Driven with Constant Current Driver

Input Voltage/Hz 220V- 240V/50-60Hz

Control Gear Included

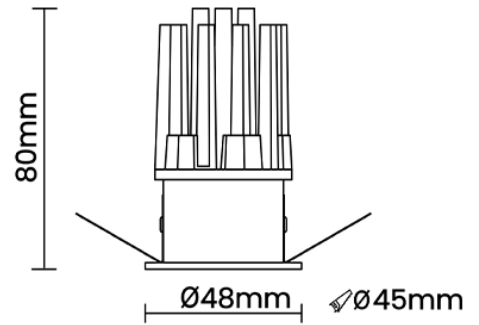
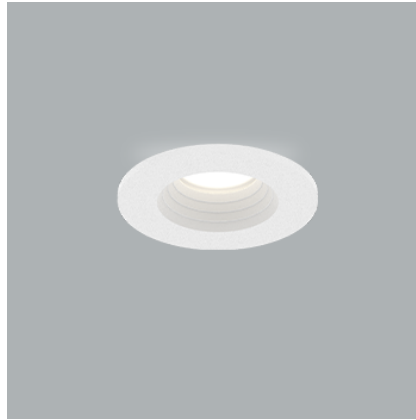
Mounting Remote

LED Power Watts 6.9W

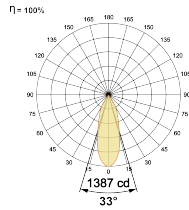
System Power Watts 8.6W

Operating Voltage Vin 220-240 Vac

Power Factor p.f. > 0.5



## Light Distribution



## LED Technology

Binning 3 Step MacAdam

LED Life Time @ L80/B10 >50000 hours

Colour Rendering (CRI) CRI80,CRI90

Led Type COB

LED Fitted CREE COB LED 9Vdc/700mA

## Controls

Standard Switchable On/Off

Optional PDIM,DDIM,BTTM,CASAMBI,Non Dimmable

## Ordering Details

Code Example:	Name	Watt	CCT	CRI	Angle	Finish	Control
	<b>Bling F</b>	<b>8W</b>	<b>WW27K</b>	<b>CRI80</b>	<b>33°(MD)</b>	<b>SWH</b>	<b>On/Off</b>

Select one from each column with highlighted values to create the ordering code

NAME	WATT	LUMEN	EFFICACY	CCT	CRI	ANGLE	FINISH	CONTROL			
<b>Bling F</b>	<b>8W</b>	568	66	2700K	<b>WW27K</b>	<b>CRI80</b>	33°(MD) 33°(MD)	White	<b>SWH</b>	Non Dimmable	<b>On/Off</b>
		602	70	3000K	<b>WW30K</b>			CRI90	Black	<b>SBL</b>	Phase Dimmable
		636	74	4000K	<b>NW40K</b>		Custom	<b>CSM</b>	Dali Dimmable	<b>DDIM</b>	
		654	76	5700K	<b>CW57K</b>				Bluetooth Dimmable	<b>BTTM</b>	
				2700K-5700K	<b>TW</b>				Casambi	<b>CBTM</b>	
				Warm to Dim	<b>W2D</b>						
<b>Bling F</b>	<b>8W</b>			<b>WW27K</b>	<b>CRI80</b>	<b>33°(MD)</b>	<b>SWH</b>	<b>On/Off</b>			