

Bling M | 5W

Product Reference

Environment Indoor
Installation Ceiling Recess

Construction & Materials

Housing Milled Aluminium
Primary Lens PMMA
Primary Reflector PC metallised
Secondary Reflector -
Body Finish White,Black,Custom
Diffuser -
Antiglare Baffle -

Thermal Management

Heat Sink Material Aluminium
Cooling Technique Passive Cooling

Optical System

Beam Direction Adjustable
Tilt Yes
Swivel No

Electrical System

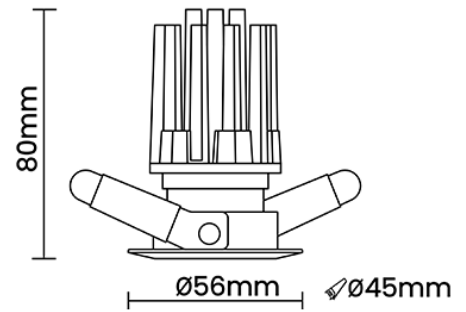
Driven with Constant Current Driver
Input Voltage/Hz 220V- 240V/50-60Hz
Control Gear Included
Mounting Remote
LED Power Watts 3.5W
System Power Watts 4.4W
Operating Voltage Vin 220-240 Vac
Power Factor p.f. > 0.5

Ordering Details

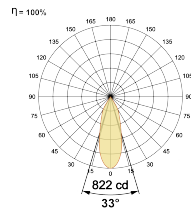
Code Example:	Name	Watt	CCT	CRI	Angle	Finish	Control
	Bling M	5W	WW27K	CRI80	33°(MD)	SWH	On/Off

Select one from each column with highlighted values to create the ordering code

NAME	WATT	LUMEN	EFFICACY	CCT	CRI	ANGLE	FINISH	CONTROL	
Bling M	5W	330	75	2700K	WW27K	CRI80	White SWH Black SBL Custom CSM	Non Dimmable	On/Off
		352	80	3000K	WW30K			CRI90	Phase Dimmable
		374	85	4000K	NW40K			Dali Dimmable	DDIM
		383	87	5700K	CW57K			Casambi	CBTM
					Warm to Dim	W2D			
Bling M	5W			WW27K	CRI80	33°(MD)	SWH	On/Off	



Light Distribution



LED Technology

Binning 3 Step MacAdam
LED Life Time @ L80/B10 >50000 hours
Colour Rendering (CRI) CRI80,CRI90
Led Type COB
LED Fitted CREE COB LED 9Vdc/350mA

Controls

Standard Switchable On/Off
Optional PDIM,DDIM,CASAMBI,Non Dimmable