

Hoopla Soft 150 | 100W

Product Reference

Environment Indoor

Installation Ceiling Suspended

Construction & Materials

Housing Extruded Aluminium

Primary Lens -

Primary Reflector PC metallised

Secondary Reflector -

Body Finish White,Black,Custom

Diffuser PMMA Frosted

Antiglare Baffle -

Thermal Management

Heat Sink Material Aluminium

Cooling Technique Passive Cooling

Optical System

Beam Direction Fixed

Tilt No

Swivel No

Electrical System

Driven with Constant Current Driver

Input Voltage/Hz 220V- 240V/50-60Hz

Control Gear Included

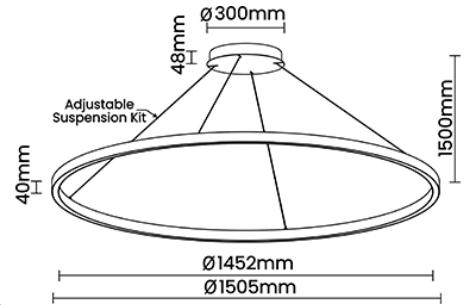
Mounting Integral

LED Power Watts 87.3W

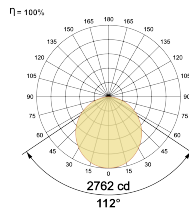
System Power Watts 100.4W

Operating Voltage Vin 220-240 Vac

Power Factor p.f. > 0.95



Light Distribution



LED Technology

Binning 3 Step MacAdam

LED Life Time @ L80/B10 >50000 hours

Colour Rendering (CRI) CRI80,CRI90

Led Type SMD mid power

LED Fitted Samsung Mid power LED array 33V-36Vdc/2550mA

Controls

Standard Switchable On/Off

Optional PDIM,DDIM,BTTM,CASAMBI,Non Dimmable

Ordering Details

Code Example:	Name	Watt	CCT	CRI	Angle	Finish	Control
	Hoopla Soft 150	100W	WW27K	CRI80	112°	SWH	On/Off

Select one from each column with highlighted values to create the ordering code

NAME	WATT	LUMEN	EFFICACY	CCT	CRI	ANGLE	FINISH	CONTROL				
Hoopla Soft 150	100W	7329	73	2700K	WW27K	CRI80	112°	White	SWH	Non Dimmable	On/Off	
		7530	75	3000K	WW30K			CRI90	Black	SBL	Phase Dimmable	PDIM
		7932	79	4000K	NW40K				Custom	CSM	Dali Dimmable	DDIM
		8132	81	5700K	CW57K						Bluetooth Dimmable	BTTM
				2700K-5700K	TW						Casambi	CBTM
Hoopla Soft 150	100W			WW27K	CRI80	112°	SWH			On/Off		