

Luke 35 2Way | 2X8W

Product Reference

Environment Indoor

Installation Ceiling Recess

Construction & Materials

Housing Die Cast Aluminium

Primary Lens -

Primary Reflector PC metallised

Secondary Reflector -

Body Finish White,Black,Custom

Diffuser -

Antiglare Baffle -

Thermal Management

Heat Sink Material Die cast Aluminium

Cooling Technique Passive Cooling

Optical System

Beam Direction Adjustable

Tilt Yes

Swivel Yes

Electrical System

Driven with Constant Current Driver

Input Voltage/Hz 220V- 240V/50-60Hz

Control Gear Included

Mounting Remote

LED Power Watts 2x6.6W

System Power Watts 2x8.3W

Operating Voltage Vin 220-240 Vac

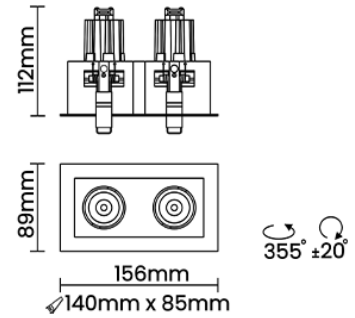
Power Factor p.f. > 0.95

Ordering Details

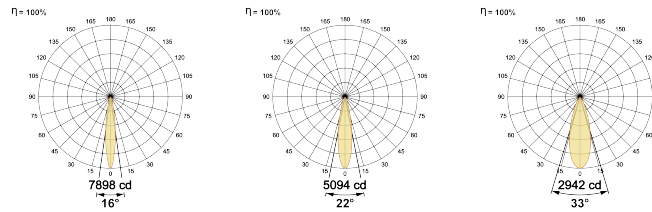
Code Example:	Name	Watt	CCT	CRI	Angle	Finish	Control
	Luke 35 2Way	2X8W	WW27K	CRI80	16°(SS)	SWH	On/Off

Select one from each column with highlighted values to create the ordering code

NAME	WATT	LUMEN	EFFICACY	CCT	CRI	ANGLE	FINISH	CONTROL
Luke 35 2Way	2X8W	2x581	70	2700K	WW27K	CRI80	16°(SS)	White SWH Non Dimmable On/Off
		2x614	74	3000K	WW30K	CRI90	22°(MD)	Black SBL Phase Dimmable PDIM
		2x647	78	4000K	NW40K		33°(WD)	Custom CSM Dali Dimmable DDIM
		2x672	81	5700K	CW57K			Bluetooth Dimmable BTM
				2700K-5700K	TW			Casambi CBTM
Luke 35 2Way	2X8W			WW27K	CRI80	16°(SS)	SWH	On/Off



Light Distribution



LED Technology

Binning 3 Step MacAdam

LED Life Time @ L80/B10 >50000 hours

Colour Rendering (CRI) CRI80,CRI90

Led Type COB

LED Fitted CREE COB LED 9Vdc/700mA

Controls

Standard Switchable On/Off

Optional PDIM,DDIM,BTTM,CASAMBI,Non Dimmable