

Luke 50 | 15W

Product Reference

Environment Indoor

Installation Ceiling Recess

Construction & Materials

Housing Die Cast Aluminium

Primary Lens -

Primary Reflector PC metallised

Secondary Reflector -

Body Finish White,Black,Custom

Diffuser -

Antiglare Baffle -

Thermal Management

Heat Sink Material Die cast Aluminium

Cooling Technique Passive Cooling

Optical System

Beam Direction Adjustable

Tilt Yes

Swivel Yes

Electrical System

Driven with Constant Current Driver

Input Voltage/Hz 220V- 240V/50-60Hz

Control Gear Included

Mounting Remote

LED Power Watts 12.7W

System Power Watts 14.6W

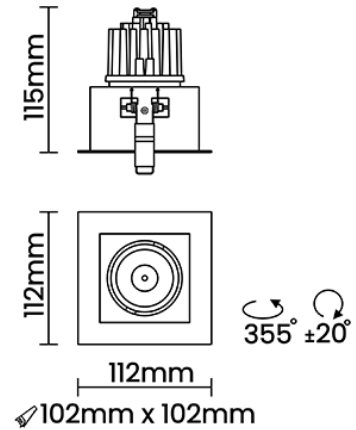
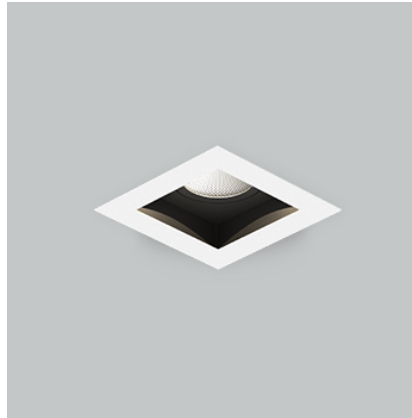
Operating Voltage V_{in} 220-240 Vac

Power Factor p.f. > 0.95

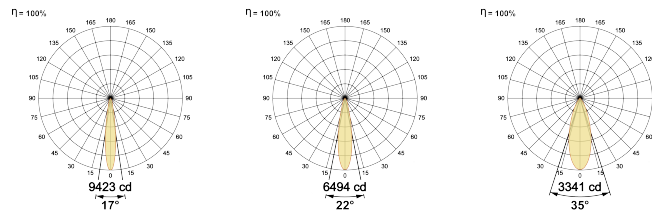
Ordering Details

Code Example:	Name	Watt	CCT	CRI	Angle	Finish	Control
	Luke 50	15W	WW27K	CRI80	17°(SS)	SWH	On/Off

Select one from each column with highlighted values to create the ordering code



Light Distribution



LED Technology

Binning 3 Step MacAdam

LED Life Time @ L80/B10 >50000 hours

Colour Rendering (CRI) CRI80,CRI90

Led Type COB

LED Fitted CREE COB LED 36Vdc/350mA

Controls

Standard Switchable On/Off

Optional PDIM,DDIM,BTTM,CASAMBI,Non Dimmable

NAME	WATT	LUMEN	EFFICACY	CCT	CRI	ANGLE	FINISH	CONTROL	
Luke 50	15W	1504	103	2700K	WW27K	CRI80	17°(SS)	White SWH	Non Dimmable On/Off
		1548	106	3000K	WW30K	CRI90	22°(MD)	Black SBL	Phase Dimmable PDIM
		1650	113	4000K	NW40K		35°(WD)	Custom CSM	Dali Dimmable DDIM
		1694	116	5700K	CW57K				Bluetooth Dimmable BTTM
				2700K-5700K Warm to Dim	TW W2D				Casambi CBTM
Luke 50	15W			WW27K	CRI80	17°(SS)	SWH	On/Off	

Abby Lighting & Switchgear Limited 802 A, Fortune Terraces, New Link Road, Opp City Mall, Andheri West, Mumbai - 400053, India.

frontdesk@abbylighting.com, +91 9833645212

Abby reserves the right to discontinue any product from its collection at any time whatsoever and without prior notice

www.abbylighting.com