

Peeping Tom | 8W

Product Reference

Environment Indoor

Installation Ceiling Recess

Construction & Materials

Housing Die Cast Aluminium, Milled Aluminium

Primary Lens PMMA

Primary Reflector -

Secondary Reflector -

Body Finish White, Black, Custom

Diffuser -

Antiglare Baffle -

Thermal Management

Heat Sink Material Die cast Aluminium

Cooling Technique Passive Cooling

Optical System

Beam Direction Adjustable

Tilt Yes

Swivel Yes

Electrical System

Driven with Constant Current Driver

Input Voltage/Hz 220V- 240V/50-60Hz

Control Gear Included

Mounting Remote

LED Power Watts 7.4W

System Power Watts 8.5W

Operating Voltage Vin 220-240 Vac

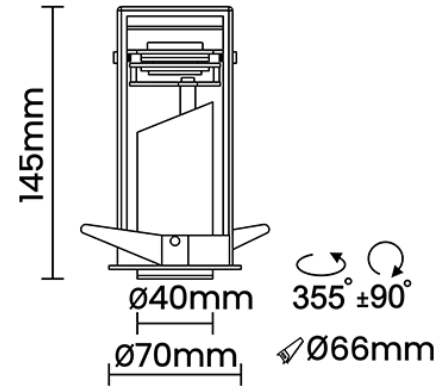
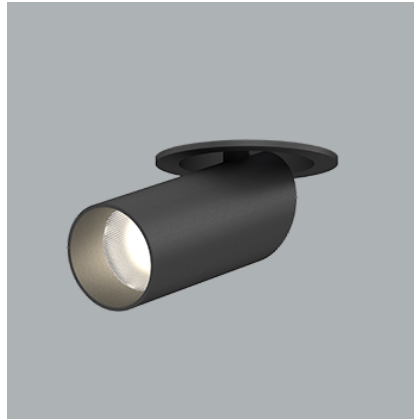
Power Factor p.f. > 0.95

Ordering Details

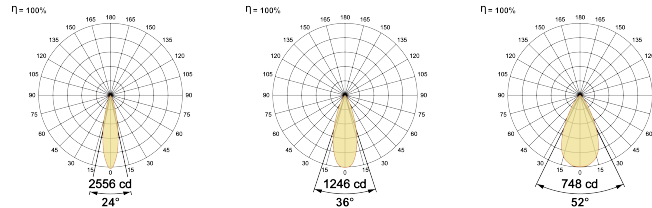
Code Example:	Name	Watt	CCT	CRI	Angle	Finish	Control
	Peeping Tom	8W	WW27K	CRI80	24°(MD)	SWH	On/Off

Select one from each column with highlighted values to create the ordering code

NAME	WATT	LUMEN	EFFICACY	CCT	CRI	ANGLE	FINISH	CONTROL
Peeping Tom	8W	621	73	2700K	WW27K	CRI80	24°(MD)	White SWH Non Dimmable On/Off
		638	75	3000K	WW30K	CRI90	36°(WD)	Black SBL Phase Dimmable PDIM
		672	79	4000K	NW40K		52°(VWD)	Custom CSM Dali Dimmable DDIM
		689	81	5700K	CW57K			Bluetooth Dimmable BTTM
				2700K-5700K	TW			Casambi CBTM
			Warm to Dim	W2D				
Peeping Tom	8W			WW27K	CRI80	24°(MD)	SWH	On/Off



Light Distribution



LED Technology

Binning 3 Step MacAdam

LED Life Time @ L80/B10 >50000 hours

Colour Rendering (CRI) CRI80, CRI90

Led Type COB

LED Fitted CREE COB LED 9Vdc/700mA

Controls

Standard Switchable On/Off

Optional PDIM, DDIM, BTTM, CASAMBI, Non Dimmable

