

# Snap Soft 12 | 10W

## Product Reference

Environment Indoor

Installation Ceiling Recess

## Construction & Materials

Housing Die Cast Aluminium

Primary Lens -

Primary Reflector -

Secondary Reflector -

Body Finish White,Black

Diffuser Microprismatic

Antiglare Baffle -

## Thermal Management

Heat Sink Material Die cast Aluminium

Cooling Technique Passive Cooling

## Optical System

Beam Direction Fixed

Tilt No

Swivel No

## Electrical System

Driven with Constant Current Driver

Input Voltage/Hz 220V- 240V/50-60Hz

Control Gear Included

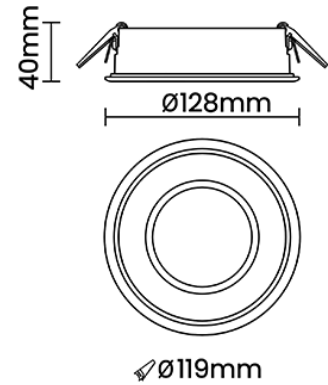
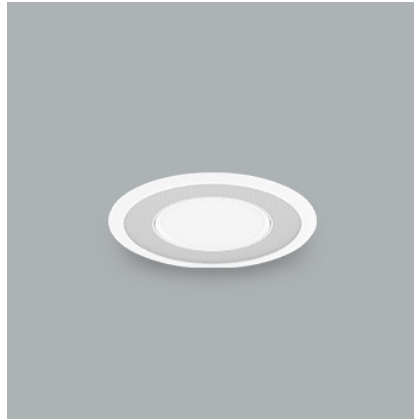
Mounting Remote

LED Power Watts 8.8W

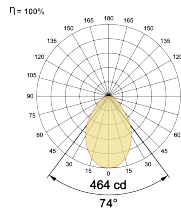
System Power Watts 10.1W

Operating Voltage Vin 220-240 Vac

Power Factor p.f. > 0.95



## Light Distribution



## LED Technology

Binning 3 Step MacAdam

LED Life Time @ L80/B10 >50000 hours

Colour Rendering (CRI) CRI80,CRI90

Led Type SMD high power

LED Fitted Cree 3030 LED 33V-36Vdc/250mA

## Controls

Standard Switchable On/Off

Optional PDIM,DDIM,BTTM,CASAMBI,Non Dimmable

## Ordering Details

Code Example:	Name	Watt	CCT	CRI	Angle	Finish	Control
	<b>Snap Soft 12</b>	<b>10W</b>	<b>WW27K</b>	<b>CRI80</b>	<b>74°</b>	<b>SWH</b>	<b>On/Off</b>

Select one from each column with highlighted values to create the ordering code

NAME	WATT	LUMEN	EFFICACY	CCT	CRI	ANGLE	FINISH	CONTROL	
<b>Snap Soft 12</b>	<b>10W</b>	747	74	2700K	<b>WW27K</b>	<b>CRI80</b>	74°	White <b>SWH</b>	Non Dimmable <b>On/Off</b>
		768	76	3000K	<b>WW30K</b>	CRI90		Black <b>SBL</b>	Phase Dimmable <b>PDIM</b>
		808	80	4000K	<b>NW40K</b>			Dali Dimmable <b>DDIM</b>	
		828	82	5700K	<b>CW57K</b>			Bluetooth Dimmable <b>BTTM</b>	
					2700K-5700K	<b>TW</b>			Casambi <b>CBTM</b>
<b>Snap Soft 12</b>	<b>10W</b>			<b>WW27K</b>	<b>CRI80</b>	<b>74°</b>	<b>SWH</b>	<b>On/Off</b>	