

Snap Soft 18 | 15W

Product Reference

Environment Indoor

Installation Ceiling Recess

Construction & Materials

Housing Die Cast Aluminium

Primary Lens -

Primary Reflector -

Secondary Reflector -

Body Finish White,Black

Diffuser Microprismatic

Antiglare Baffle -

Thermal Management

Heat Sink Material Die cast Aluminium

Cooling Technique Passive Cooling

Optical System

Beam Direction Fixed

Tilt No

Swivel No

Electrical System

Driven with Constant Current Driver

Input Voltage/Hz 220V- 240V/50-60Hz

Control Gear Included

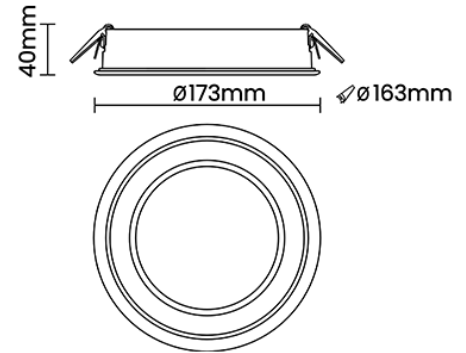
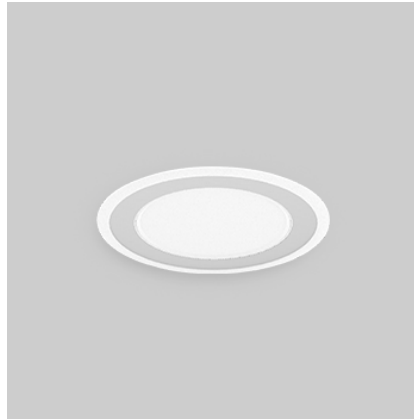
Mounting Remote

LED Power Watts 12.4W

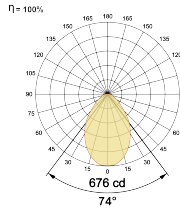
System Power Watts 14.3W

Operating Voltage Vin 220-240 Vac

Power Factor p.f. > 0.95



Light Distribution



LED Technology

Binning 3 Step MacAdam

LED Life Time @ L80/B10 >50000 hours

Colour Rendering (CRI) CRI80,CRI90

Led Type SMD high power

LED Fitted Samsung Mid power LED array 33V-36Vdc/350mA

Controls

Standard Switchable On/Off

Optional PDIM,DDIM,BTTM,CASAMBI,Non Dimmable

Ordering Details

Code Example:	Name	Watt	CCT	CRI	Angle	Finish	Control
	Snap Soft 18	15W	WW27K	CRI80	74°	SWH	On/Off

Select one from each column with highlighted values to create the ordering code

NAME	WATT	LUMEN	EFFICACY	CCT	CRI	ANGLE	FINISH	CONTROL
Snap Soft 18	15W	1087	76	2700K	WW27K	74°	White SWH Black SBL	Non Dimmable On/Off
		1115	78	3000K	WW30K			Phase Dimmable PDIM
		1173	82	4000K	NW40K			Dali Dimmable DDIM
		1201	84	5700K	CW57K			Bluetooth Dimmable BTTM
				2700K-5700K	TW			Casambi CBTM
Snap Soft 18	15W			WW27K	CRI80	74°	SWH	On/Off