

# Tiny FR | 8W

## Product Reference

Environment Indoor

Installation Ceiling Recess

## Construction & Materials

Housing Aluminium

Primary Lens Polycarbonate

Primary Reflector PC metallised

Secondary Reflector Anodised

Body Finish White,Black,Custom

Diffuser -

Antiglare Baffle -

## Thermal Management

Heat Sink Material Die cast Aluminium

Cooling Technique Passive Cooling

## Optical System

Beam Direction Fixed

Tilt No

Swivel No

## Electrical System

Driven with Constant Current Driver

Input Voltage/Hz 220V- 240V/50-60Hz

Control Gear Included

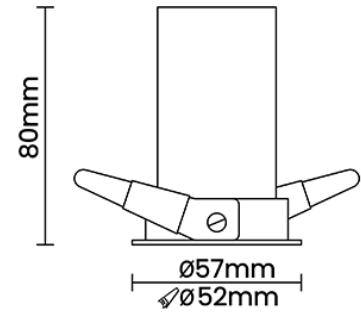
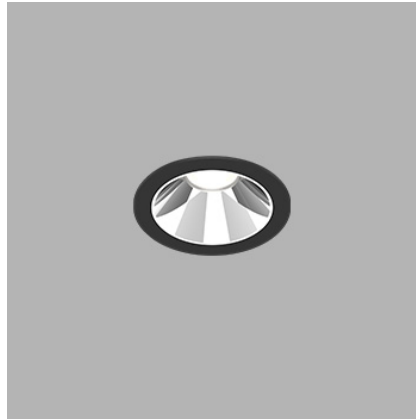
Mounting Remote

LED Power Watts 7.3W

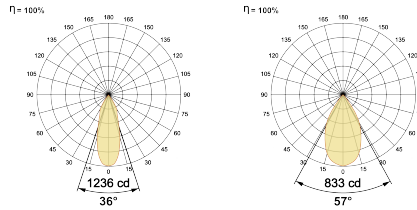
System Power Watts 8.4W

Operating Voltage Vin -

Power Factor p.f. > 0.95



## Light Distribution



## LED Technology

Binning 3 Step MacAdam

LED Life Time @ L70/B10 >50000 hours

Colour Rendering (CRI) CRI80,CRI90

Led Type COB

LED Fitted CREE COB LED 9Vdc/700mA

## Controls

Standard Switchable On/Off

Optional PDIM,DDIM,BTTM,CASAMBI,Non Dimmable

## Ordering Details

Code Example:	Name	Watt	CCT	CRI	Angle	Finish	Control
	<b>Tiny FR</b>	<b>8W</b>	<b>WW27K</b>	<b>CRI80</b>	<b>36°(MD)</b>	<b>SWH</b>	<b>On/Off</b>

Select one from each column with highlighted values to create the ordering code

NAME	WATT	LUMEN	EFFICACY	CCT	CRI	ANGLE	FINISH	CONTROL	
Tiny FR	8W	613	73	2700K	<b>WW27K</b>	<b>CRI80</b>	36°(MD)	White <b>SWH</b>	Non Dimmable <b>On/Off</b>
		630	75	3000K	<b>WW30K</b>	CRI90	57°(WD)	Black <b>SBL</b>	Phase Dimmable <b>PDIM</b>
		664	79	4000K	<b>NW40K</b>			Custom <b>CSM</b>	Dali Dimmable <b>DDIM</b>
		680	81	5700K	<b>CW57K</b>				Bluetooth Dimmable <b>BTTM</b>
				2700K-5700K	<b>TW</b>				Casambi <b>CBTM</b>
				Warm to Dim	<b>W2D</b>				
Tiny FR	8W			<b>WW27K</b>	<b>CRI80</b>	<b>36°(MD)</b>	<b>SWH</b>	<b>On/Off</b>	