

# Spotboy Pro ITA 50 | 15W

## Product Reference

Environment Indoor

Installation Track Mounted

## Construction & Materials

Housing Aluminium

Primary Lens PMMA

Primary Reflector -

Secondary Reflector -

Body Finish White,Black

Diffuser -

Antiglare Baffle -

## Thermal Management

Heat Sink Material Die cast Aluminium

Cooling Technique Passive Cooling

## Optical System

Beam Direction Adjustable

Tilt Yes

Swivel Yes

## Electrical System

Driven with Constant Current Driver

Input Voltage/Hz 220V- 240V/50-60Hz

Control Gear Included

Mounting Integral

LED Power Watts 12.6W

System Power Watts 14.5W

Operating Voltage Vin 220-240 Vac

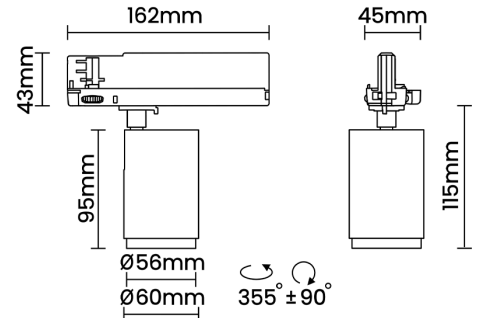
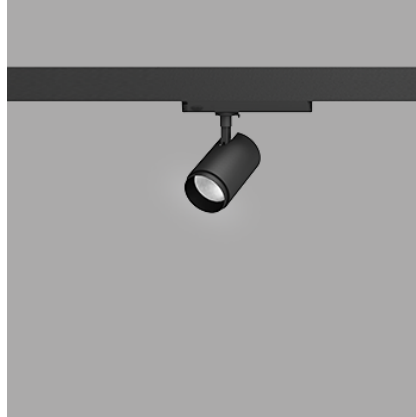
Power Factor p.f. > 0.95

## Ordering Details

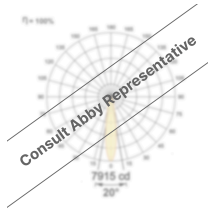
Code Example:	Name	Watt	CCT	CRI	Angle	Finish	Control
	<b>Spotboy Pro ITA 50</b>	<b>15W</b>	<b>NW40K</b>	<b>CRI90</b>	<b>Wallwash (WW)</b>	<b>SWH</b>	<b>On/Off</b>

Select one from each column with highlighted values to create the ordering code

NAME	WATT	LUMEN	EFFICACY	CCT	CRI	ANGLE	FINISH	CONTROL
<b>Spotboy Pro ITA 50</b>	<b>15W</b>	1450	100	4000K <b>NW40K</b>	<b>CRI90</b>	Wallwash (WW)	White <b>SWH</b> Black <b>SBL</b>	Non Dimmable <b>On/Off</b>
<b>Spotboy Pro ITA 50</b>	<b>15W</b>			<b>NW40K</b>	<b>CRI90</b>	<b>Wallwash (WW)</b>	<b>SWH</b>	<b>On/Off</b>



## Light Distribution



## LED Technology

Binning 3 Step MacAdam

LED Life Time @ L80/B10 >50000 hours

Colour Rendering (CRI) CRI90

Led Type COB

LED Fitted Cree COB LED 33V-36Vdc/350mA

## Controls

Standard Switchable On/Off

Optional Non Dimmable