

# Spot On Framer ITA 85 Narrow Beam | 24W

## Product Reference

Environment Indoor  
Installation Track Mounted

## Construction & Materials

Housing Aluminium  
Primary Lens PMMA  
Primary Reflector -  
Secondary Reflector -  
Body Finish White,Black  
Diffuser -  
Antiglare Baffle -

## Thermal Management

Heat Sink Material Aluminium  
Cooling Technique Passive Cooling

## Optical System

Beam Direction Adjustable  
Tilt Yes  
Swivel Yes

## Electrical System

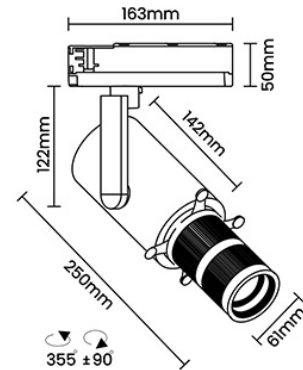
Driven with Constant Current Driver  
Input Voltage/Hz 220V- 240V/50-60Hz  
Control Gear Included  
Mounting Remote  
LED Power Watts 19.7W  
System Power Watts 22.7W  
Operating Voltage Vin 220-240 Vac  
Power Factor p.f. > 0.95

## Ordering Details

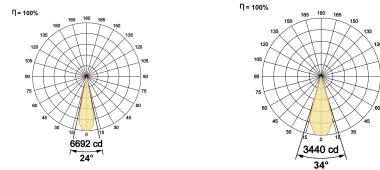
Code Example:	Name	Watt	CCT	CRI	Angle	Finish	Control
	<b>Spot On Framer ITA 85 Narrow Beam</b>	<b>24W</b>	<b>WW27K</b>	<b>CRI80</b>	<b>24°-34°</b>	<b>SWH</b>	<b>On/Off</b>

Select one from each column with highlighted values to create the ordering code

NAME	WATT	LUMEN	EFFICACY	CCT	CRI	ANGLE	FINISH	CONTROL
<b>Spot On Framer ITA 85 Narrow Beam</b>	<b>24W</b>	976	43	2700K <b>WW27K</b>	<b>CRI80</b>	24°-34°	White <b>SWH</b>	Non Dimmable <b>On/Off</b>
		999	44	3000K <b>WW30K</b>	CRI90		Black <b>SBL</b>	
		1044	46	4000K <b>NW40K</b>				
		1067	47	5700K <b>CW57K</b>				
<b>Spot On Framer ITA 85 Narrow Beam</b>	<b>24W</b>			<b>WW27K</b>	<b>CRI80</b>	<b>24°-34°</b>	<b>SWH</b>	<b>On/Off</b>



## Light Distribution



## LED Technology

Binning 3 Step MacAdam  
LED Life Time @ L80/B10 >50000 hours  
Colour Rendering (CRI) CRI80,CRI90  
Led Type COB  
LED Fitted Cree COB LED 36Vdc/600mA

## Controls

Standard Switchable On/Off  
Optional Non Dimmable