

Spot On Framer ITA 85

Narrow Beam | 28W

Product Reference

Environment Indoor
Installation Track Mounted

Construction & Materials

Housing Aluminium
Primary Lens PMMA
Primary Reflector -
Secondary Reflector -
Body Finish White,Black
Diffuser -
Antiglare Baffle -

Thermal Management

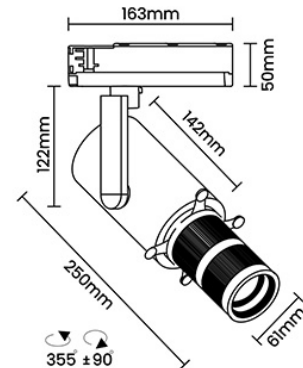
Heat Sink Material Aluminium
Cooling Technique Passive Cooling

Optical System

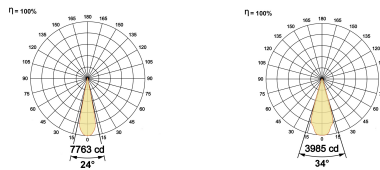
Beam Direction Adjustable
Tilt Yes
Swivel Yes

Electrical System

Driven with Constant Current Driver
Input Voltage/Hz 220V- 240V/50-60Hz
Control Gear Included
Mounting Remote
LED Power Watts 24.0W
System Power Watts 27.6W
Operating Voltage Vin 220-240 Vac
Power Factor p.f. > 0.95



Light Distribution



LED Technology

Binning 3 Step MacAdam
LED Life Time @ L80/B10 >50000 hours
Colour Rendering (CRI) CRI80,CRI90
Led Type COB
LED Fitted Cree COB LED 36Vdc/700mA

Controls

Standard Switchable On/Off
Optional Non Dimmable

Ordering Details

Code Example:	Name	Watt	CCT	CRI	Angle	Finish	Control
	Spot On Framer ITA 85 Narrow Beam	28W	WW27K	CRI80	24°-34°	SWH	On/Off

Select one from each column with highlighted values to create the ordering code

NAME	WATT	LUMEN	EFFICACY	CCT	CRI	ANGLE	FINISH	CONTROL
Spot On Framer ITA 85 Narrow Beam	28W	1132	41	2700K WW27K	CRI80	24°-34°	White SWH	Non Dimmable On/Off
		1159	42	3000K WW30K	CRI90		Black SBL	
		1214	44	4000K NW40K				
		1242	45	5700K CW57K				
Spot On Framer ITA 85 Narrow Beam	28W			WW27K	CRI80	24°-34°	SWH	On/Off