

# Spot On Framer ITA 85

## Wide Beam | 24W

### Product Reference

Environment Indoor  
 Installation Track Mounted

### Construction & Materials

Housing Aluminium  
 Primary Lens PMMA  
 Primary Reflector -  
 Secondary Reflector -  
 Body Finish White,Black  
 Diffuser -  
 Antiglare Baffle -

### Thermal Management

Heat Sink Material Aluminium  
 Cooling Technique Passive Cooling

### Optical System

Beam Direction Adjustable  
 Tilt Yes  
 Swivel Yes

### Electrical System

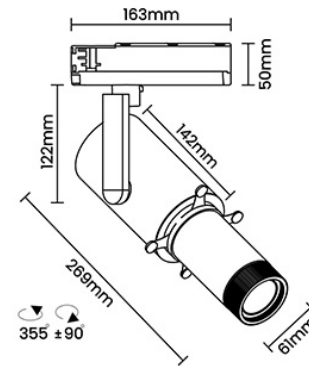
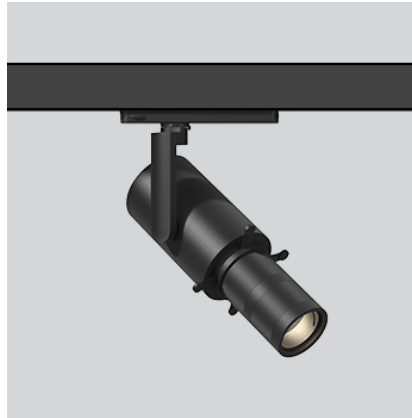
Driven with Constant Current Driver  
 Input Voltage/Hz 220V- 240V/50-60Hz  
 Control Gear Included  
 Mounting Remote  
 LED Power Watts 19.6W  
 System Power Watts 22.5W  
 Operating Voltage Vin 220-240 Vac  
 Power Factor p.f. > 0.95

### Ordering Details

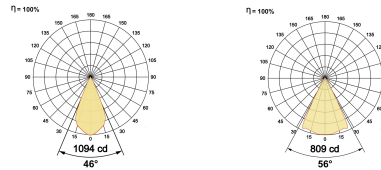
Code Example:	Name	Watt	CCT	CRI	Angle	Finish	Control
	<b>Spot On Framer ITA 85 Wide Beam</b>	<b>24W</b>	<b>WW27K</b>	<b>CRI80</b>	<b>46°-56°</b>	<b>SWH</b>	<b>On/Off</b>

Select one from each column with highlighted values to create the ordering code

NAME	WATT	LUMEN	EFFICACY	CCT	CRI	ANGLE	FINISH	CONTROL
<b>Spot On Framer ITA 85 Wide Beam</b>	<b>24W</b>	540	24	2700K <b>WW27K</b>	<b>CRI80</b>	46°-56°	White <b>SWH</b>	Non Dimmable <b>On/Off</b>
		563	25	3000K <b>WW30K</b>	CRI90		Black <b>SBL</b>	
		608	27	4000K <b>NW40K</b>				
		630	28	5700K <b>CW57K</b>				
<b>Spot On Framer ITA 85 Wide Beam</b>	<b>24W</b>			<b>WW27K</b>	<b>CRI80</b>	<b>46°-56°</b>	<b>SWH</b>	<b>On/Off</b>



### Light Distribution



### LED Technology

Binning 3 Step MacAdam  
 LED Life Time @ L80/B10 >50000 hours  
 Colour Rendering (CRI) CRI80,CRI90  
 Led Type COB  
 LED Fitted Cree COB LED 36Vdc/600mA

### Controls

Standard Switchable On/Off  
 Optional Non Dimmable